

This fixed-focus short-throw lens is designed for use with the DLP™ projector.

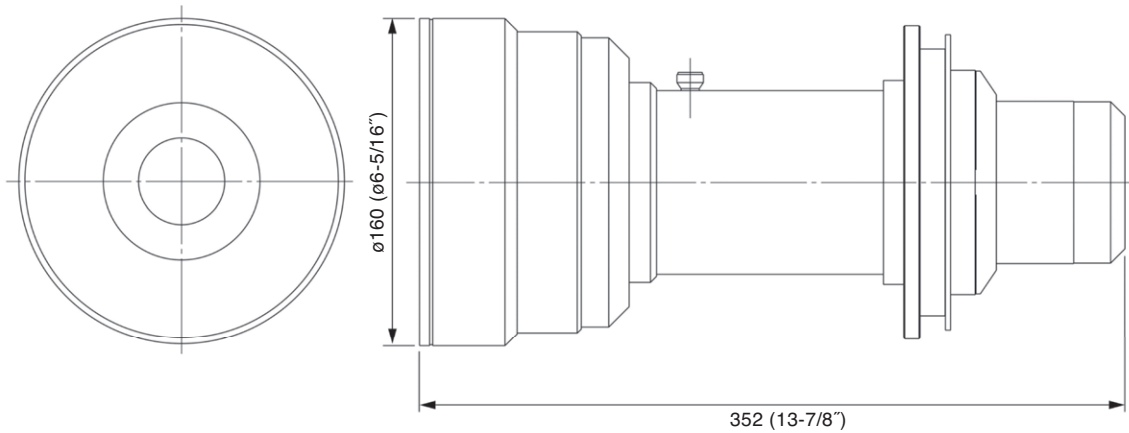
**NOTE:** Please use the lens only on the specified Panasonic DLP™ projector.

**Specifications**

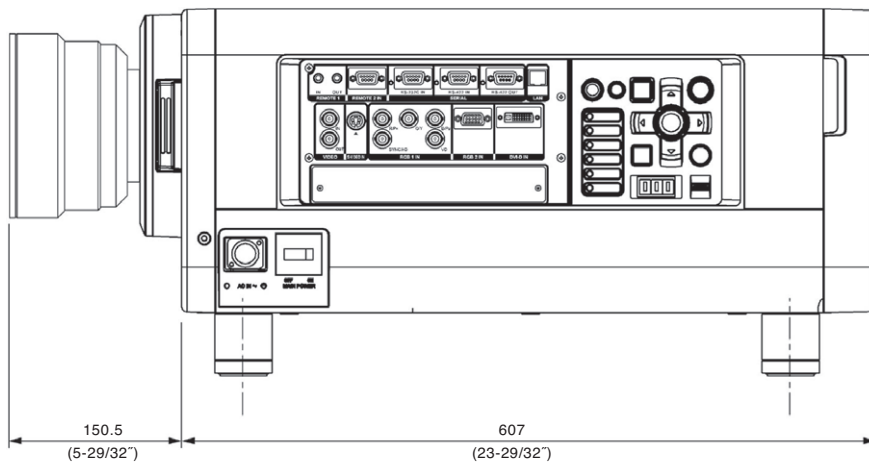
F value:	2.5
Focal distance (f):	14.8 mm
Dimensions (W x H x D):	130 x 130 x 352 mm (5-1/8" x 5-1/8" x 13-7/8")
Weight:	6.0 kg (13.2 lbs)

The throw ratio is an approximate value calculated by dividing the screen width by the projection distance.  
 DLP and the DLP logo are trademarks of Texas Instruments  
 Weights and dimensions shown are approximate. Specifications subject to change without notice.

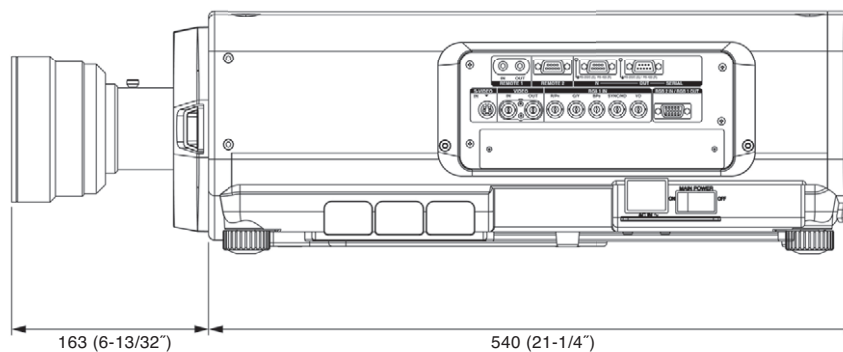
**Dimensions**



The illustration shows the lens attached to the PT-DW10000/D10000.



The illustration shows the lens attached to the PT-DW7000/D7700.



unit : mm (inch)

**NOTE:** This illustration is not drawn to scale.