



Audipack®

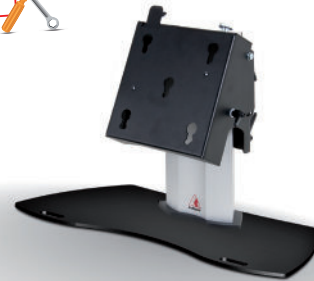
It's great to have solutions...

FACT SHEET

390920



Quick Release
No tools required



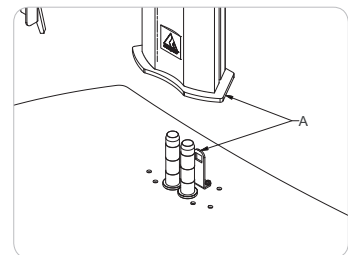
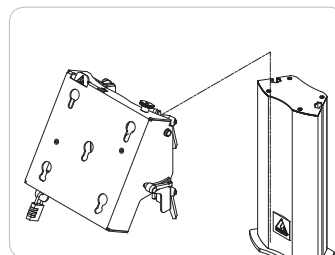
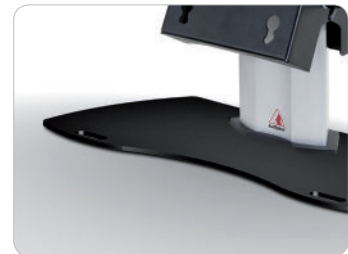
**Low "monitoring" floor stand for panels up to 60 Kg.
No tools needed for assembling.
The perfect rental product.**

Free standing floor stand suitable for flat screens. This low version floor stand is specially designed for floor monitoring purposes. The standard height of the floor stand is 400 mm.

The quick release feature allows you to install the floor stand and screen on any location without tools.

The flat screen can be landscape mounted and inclined to approx. 60 degrees for an optimum visibility with a low presentation height. The vertical column is mounted on a rigid floor plate.

- ▲ **Ideal suited for floor monitoring purposes**
- ▲ **No tools required for installation**
- ▲ **Audipack flat panel Lock-n-Secure mounting system**
- ▲ **Suitable for all brands of flat screens**
- ▲ **Custom heights and other colours available on request**



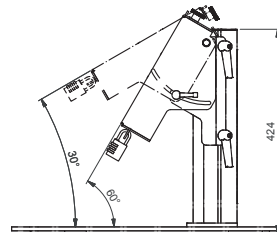
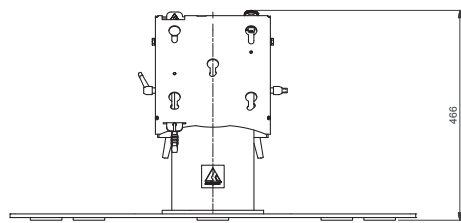
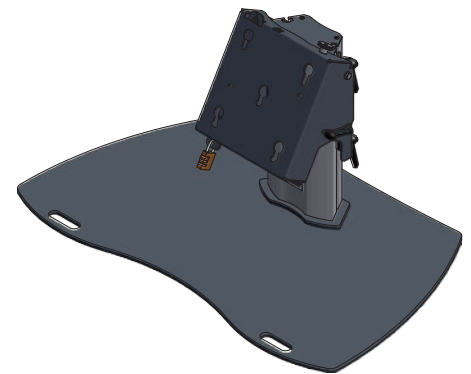
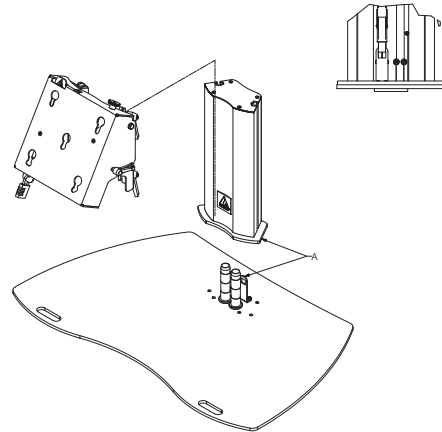
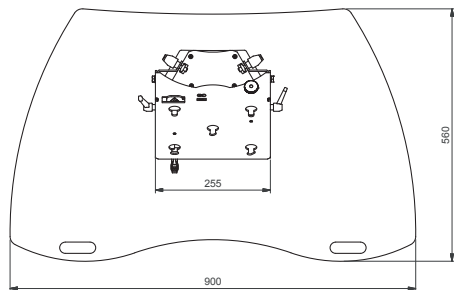


Audipack®

It's great to have solutions...

FACT SHEET

390920



Technical specifications

| | |
|--------------------|---|
| Dimensions | W 900 x D 560 x H 466 |
| Max. screen size | 55 inch |
| Max. load | 60 Kg |
| Angle adjustment | 30° up to 60° |
| Mounting interface | L&S5 |
| Colour | Floor plate: Black RAL 9005 Column: anodised aluminium |
| Weight | 27 Kg |
| Screen orientation | Landscape |

Optional

- Mounting bracket (required for screen installation)
universal models and brand related models available
- Flightcase for safe transport of the floor stand and screen
- Lock for protect the screen against theft, 230045, 230052